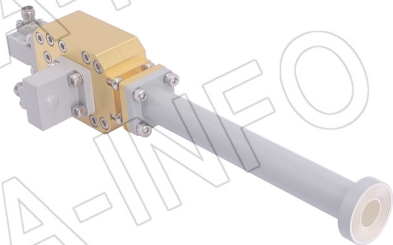


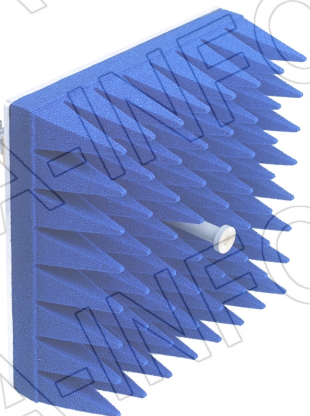
For reference only. See data sheet for the detailed specifications.

Technical Specification

LB-ACH-34-10-T02-C-KF



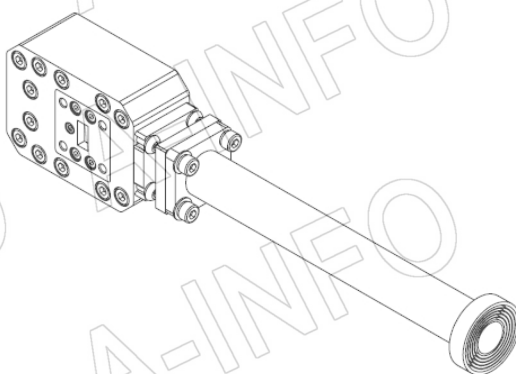
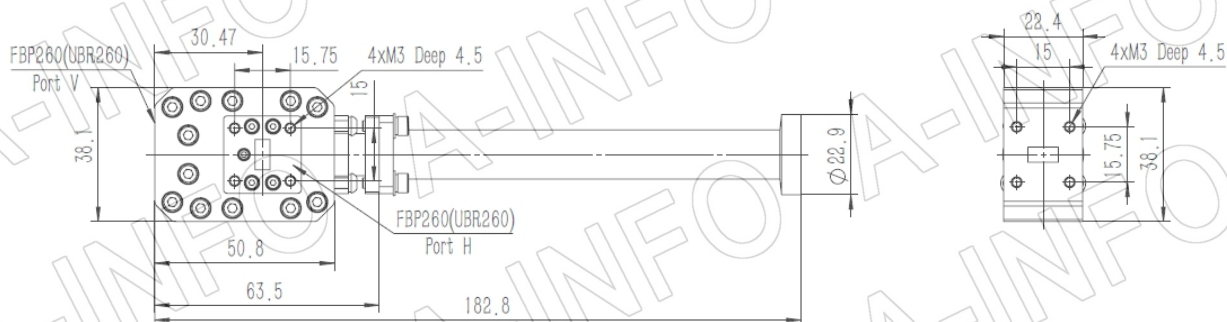
LB-ACH-34-10-T02-C-KF-A1



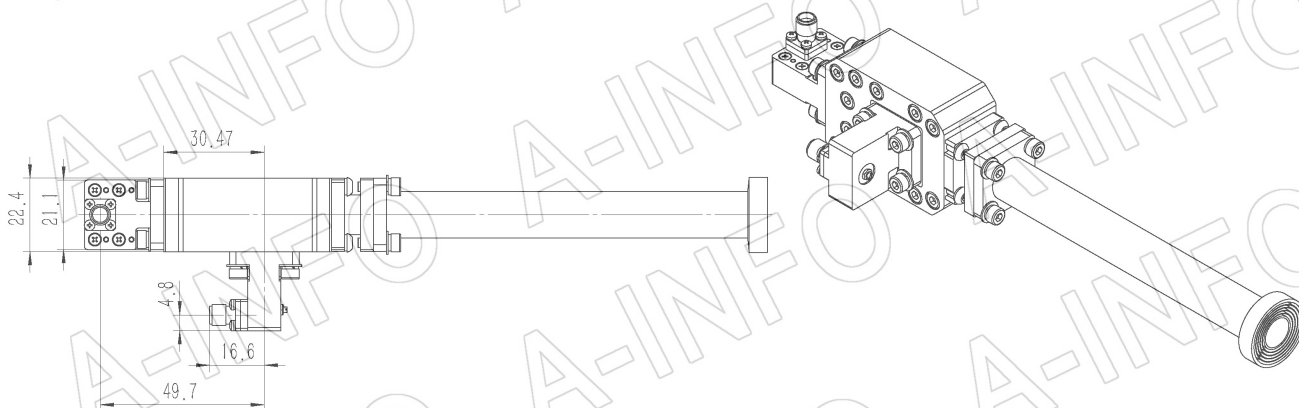
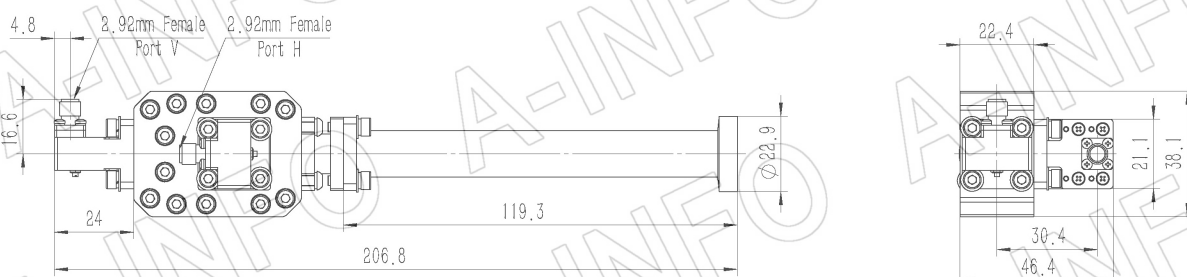
Frequency Range(GHz)	22.0 – 33.0	
Waveguide	WR34	
Gain(dBi)	10 Typ.	
Polarization	Dual Linear	
3dB Beamwidth(deg)	E Plane:	55 Typ.
	H Plane:	57 Typ.
10dB Beamwidth(deg)	E Plane:	100 Typ.
	H Plane:	105 Typ.
Cross Pol. Isolation(dB)	45 Typ.	
Port to Port Isolation(dB)	50 Typ., 40 Min.	
VSWR	A Type:	1.5:1 Typ.
	C Type:	1.5:1 Typ.
Output	A Type:	FBP260(UBR260)
	C Type:	2.92mm-Female
Material	Al	
Finish	Gold Plated and Silver Plated, Gray Paint	
Size(mm)	A Type:	22.4 x 38.1 x 182.8
	C Type:	46.4 x 38.1 x 206.8
	A-A1:	266.4 x 266.4 x 233.6
	C-KF-A1:	266.4 x 266.4 x 257.6
Net Weight(Kg)	A Type:	0.16 Around
	C Type:	0.25 Around
	A-A1:	1.51 Around
	C-KF-A1:	1.67 Around

Outline Drawing (Size: mm)

FBP260 Output (P/N: LB-ACH-34-10-T02-A)



2.92mm-Female Output (P/N: LB-ACH-34-10-T02-C-KF)



AINFO Inc.

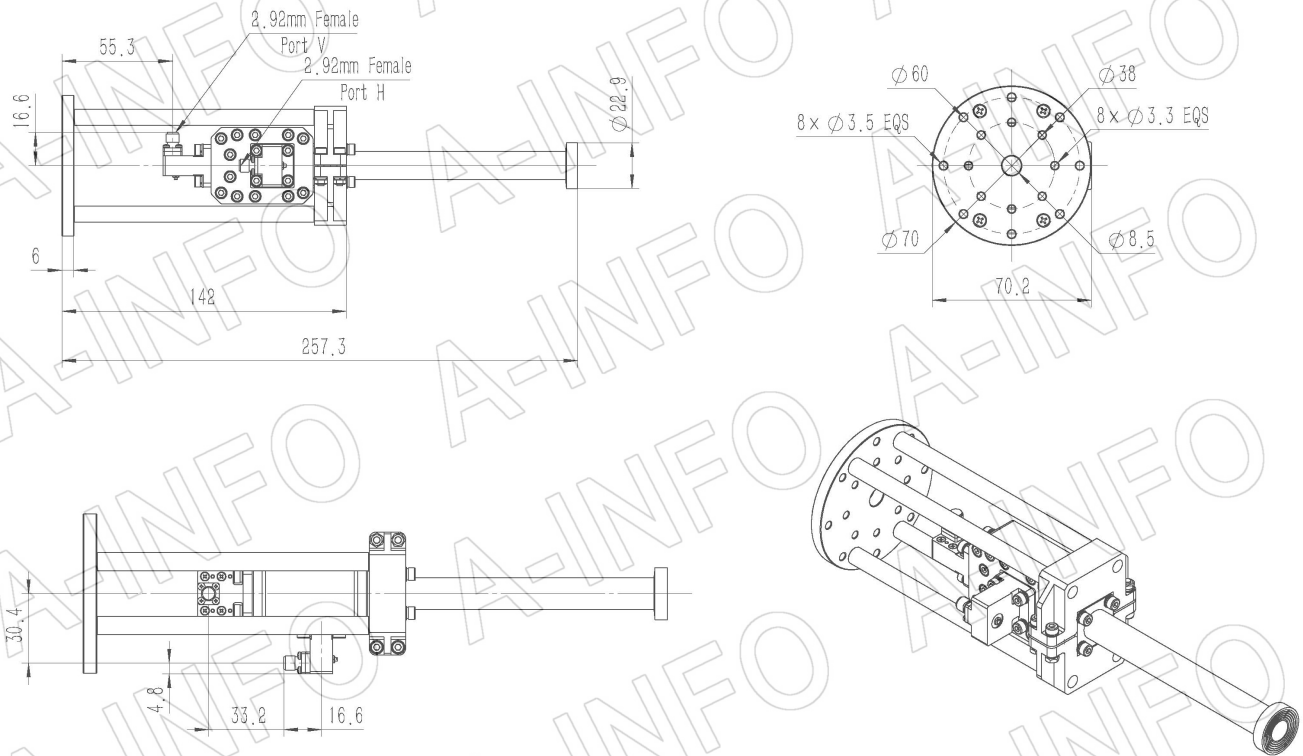
China(Beijing): Tel: (+86) 10-6266-7326,
China(Chengdu): Tel: (+86) 28-8519-2786,
USA: Tel: (+1) 949-639-9688,

Page 2 of 14

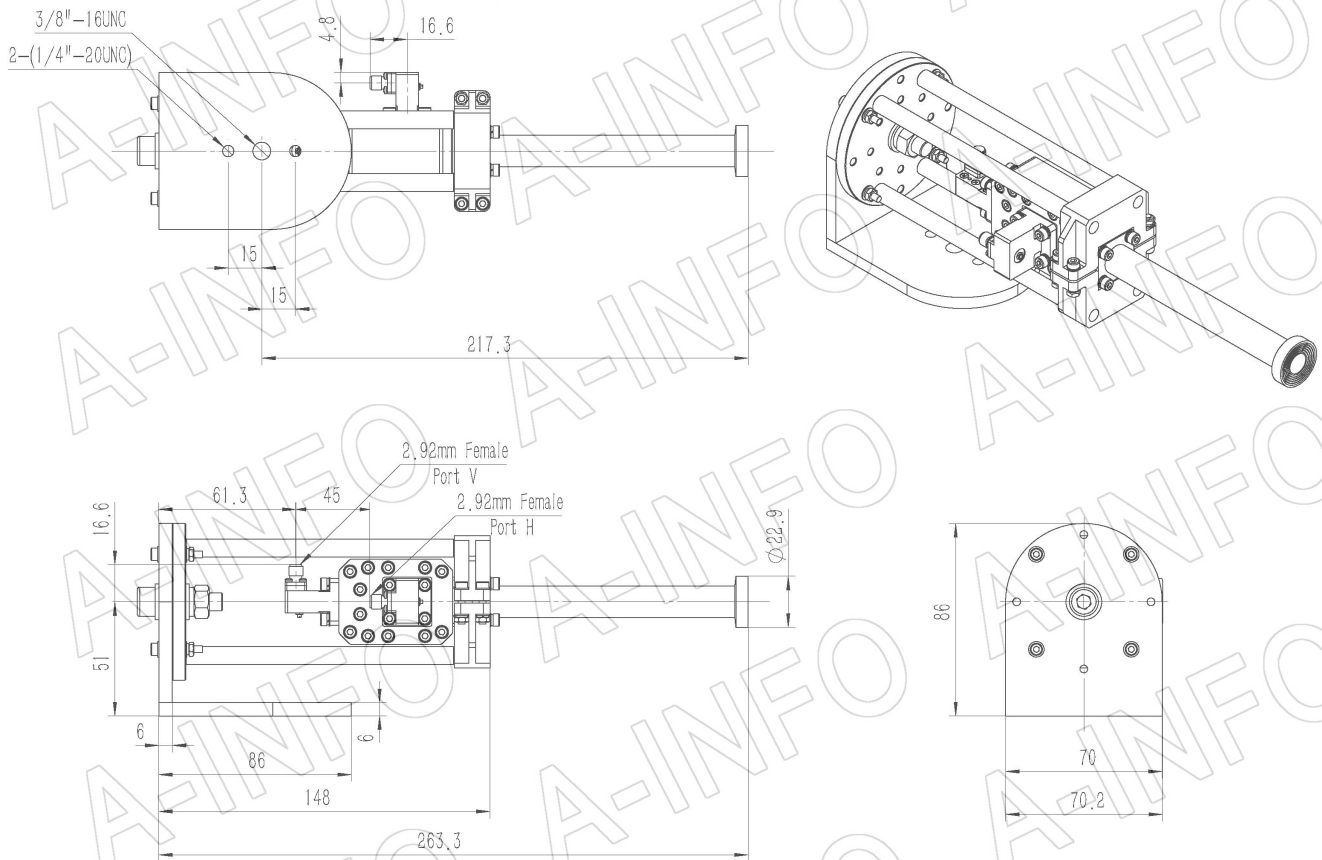
(+86) 10-6266-7327 Fax: (+86) 10-6266-7379
(+86) 28-8519-3044 Fax: (+86) 28-8519-3068
(+1) 949-639-9608 Fax: (+1) 949-639-9670

Website: www.ainfoinc.com
Email: sales@ainfoinc.com

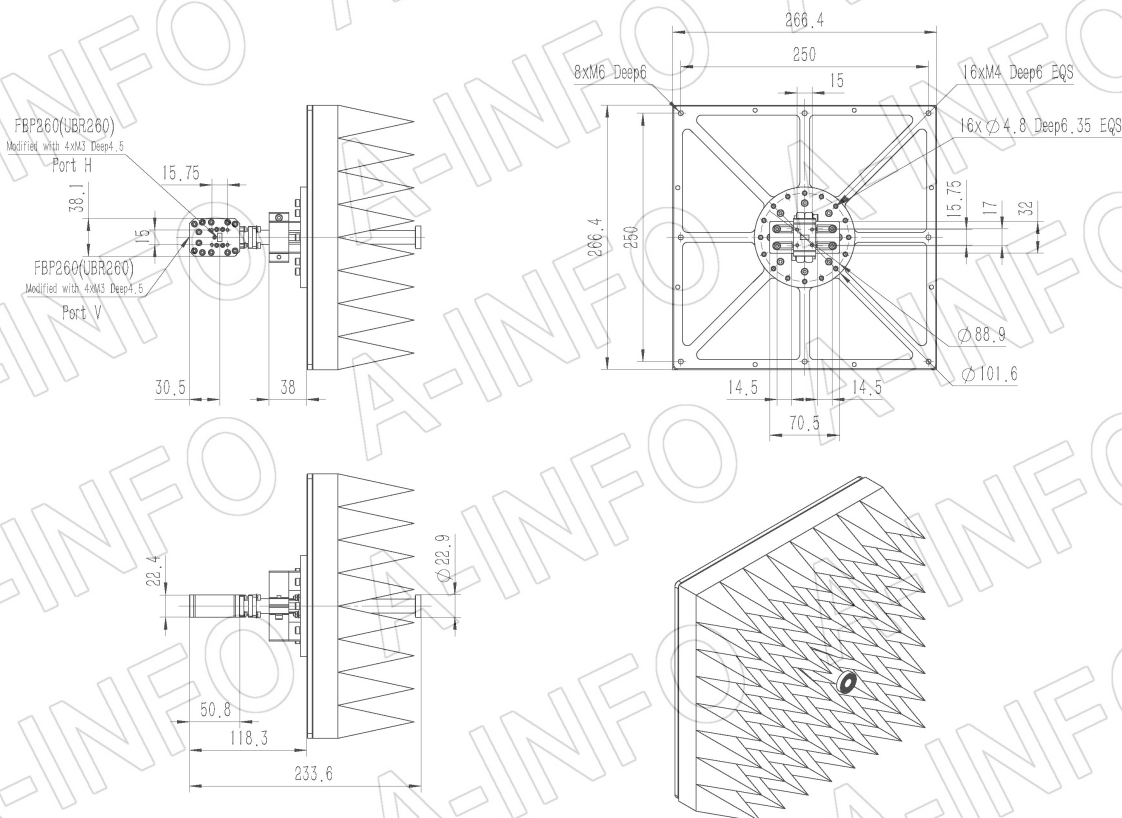
2.92mm-Female Output with Round Mounting Bracket (Option, P/N: LB-CN-34-10-T02-MB)



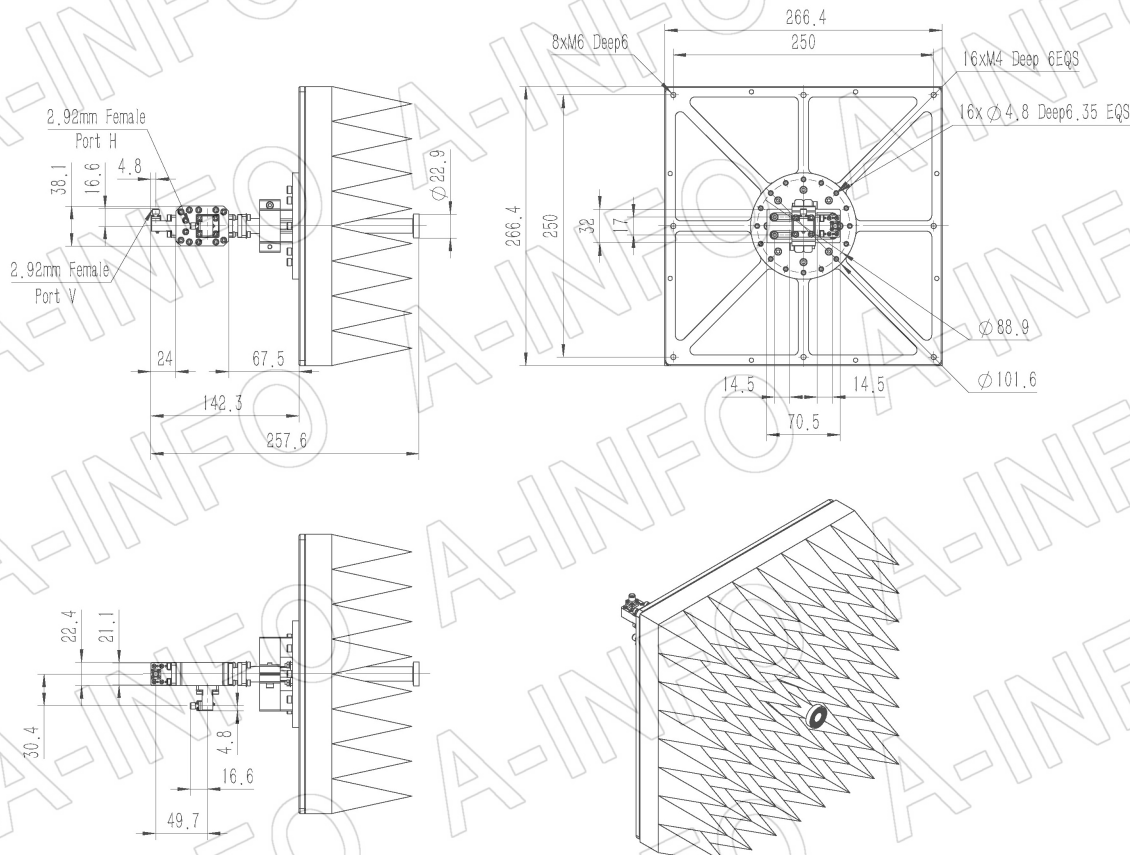
2.92mm-Female Output with L Type Mounting Bracket (Option, P/N: LB-CN-34-10-T02-MBL)



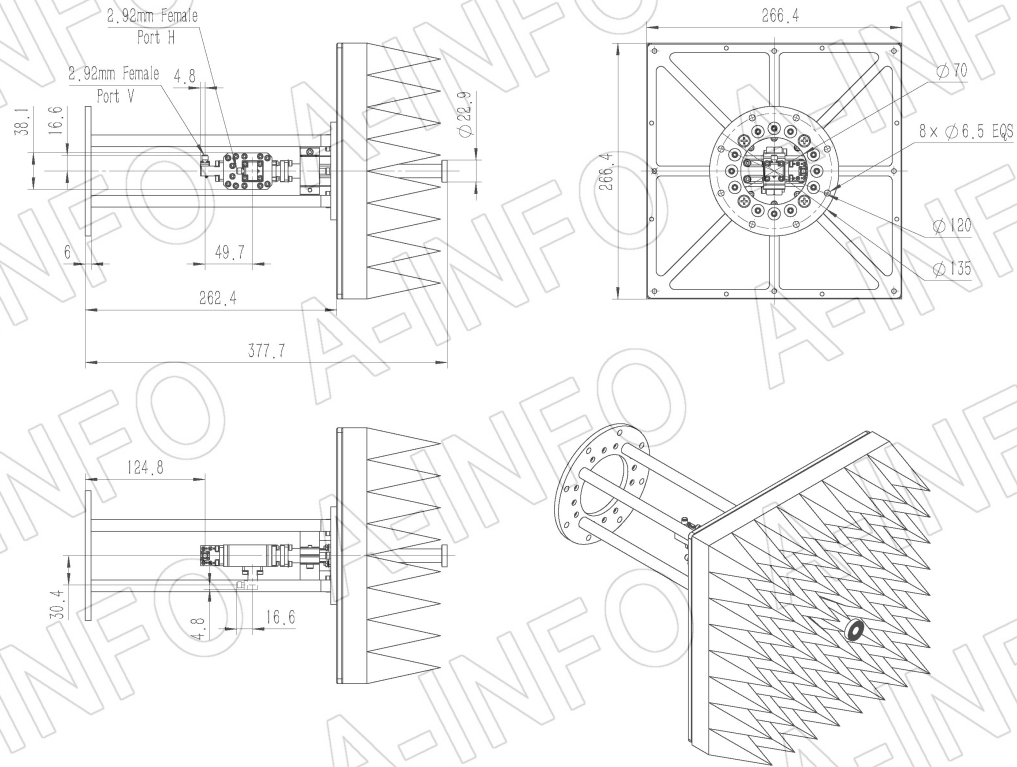
FBP260 Output, Equipped with Absorber (Option, P/N: LB-ACH-34-10-T02-A-A1)



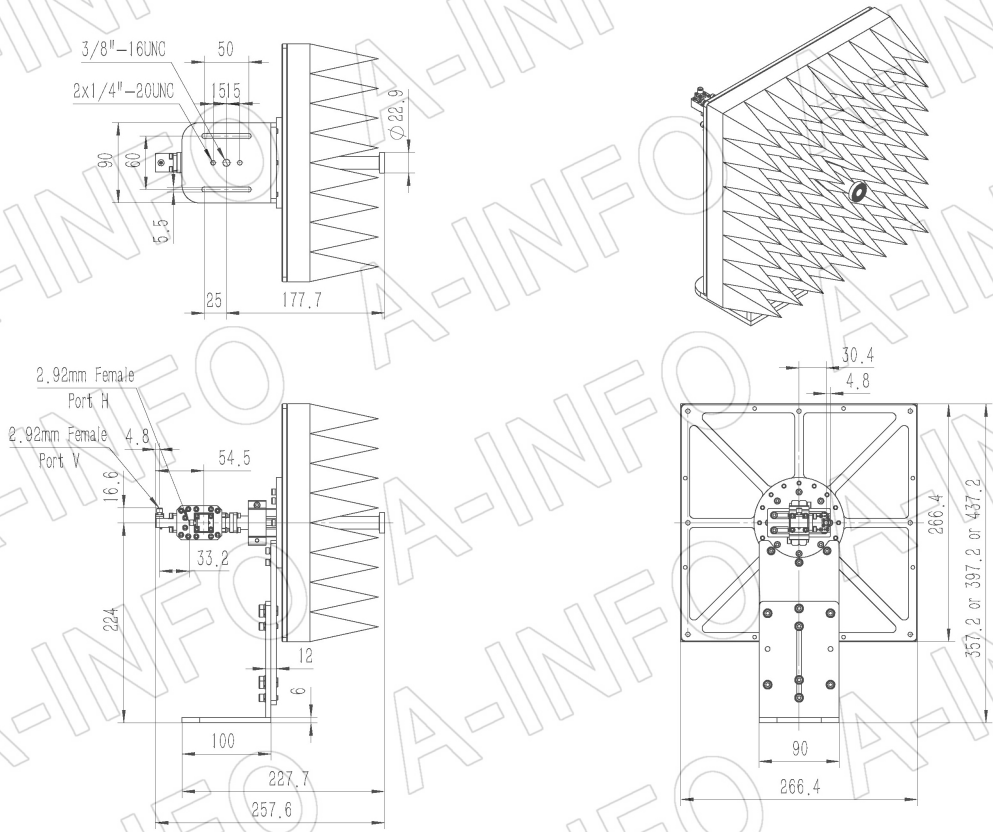
2.92mm-Female Output, Equipped with Absorber (Option, P/N: LB-ACH-34-10-T02-C-KF-A1)



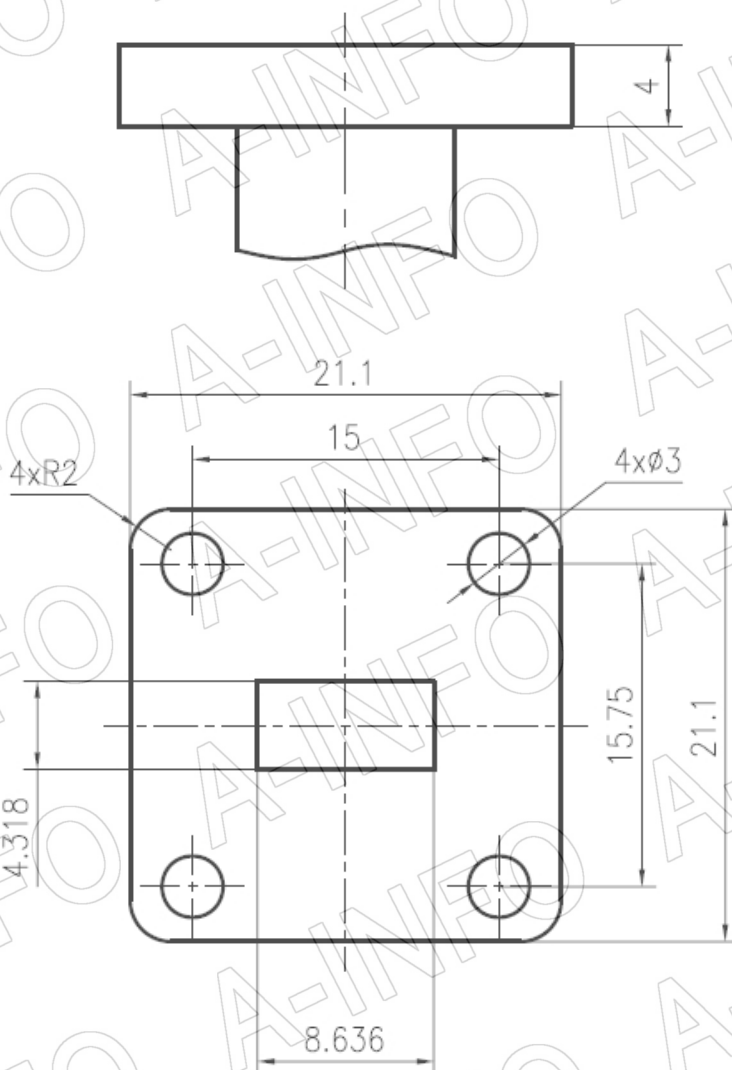
2.92mm-Female Output with Round Mounting Bracket & Equipped with Absorber (Option, P/N: EWG-MB40 & LB-ACH-34-10-T02-C-KF-A1)



2.92mm-Female Output with L Type Mounting Bracket & Equipped with Absorber (Option, P/N: EWG-L40 & LB-ACH-34-10-T02-C-KF)



Flange Drawing (Size: mm)



FBP260

AINFO Inc.

China(Beijing): Tel: (+86) 10-6266-7326,
China(Chengdu): Tel: (+86) 28-8519-2786,
USA : Tel: (+1) 949-639-9688,

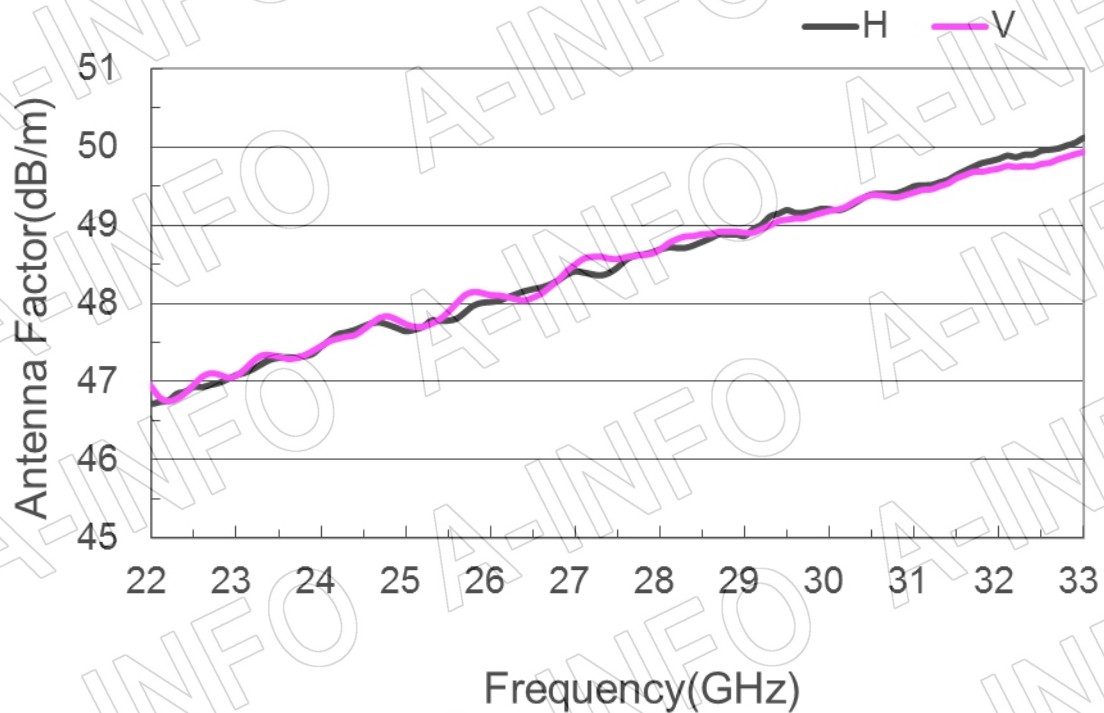
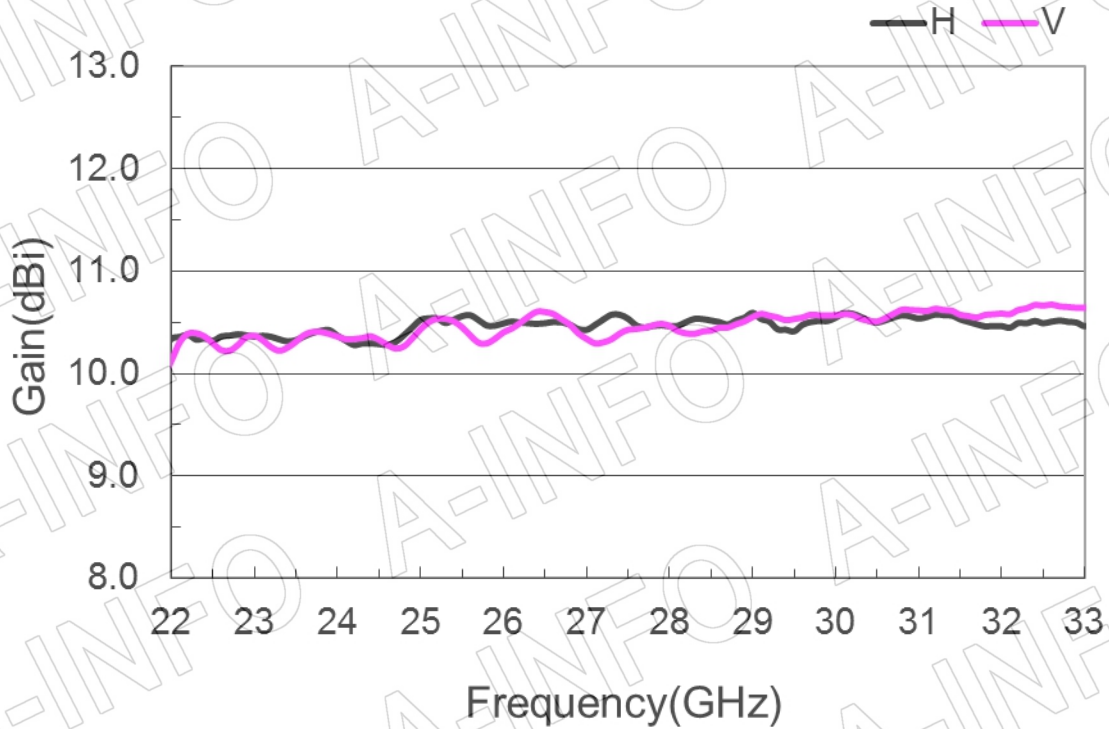
Page 6 of 14

(+86) 10-6266-7327 Fax: (+86) 10-6266-7379
(+86) 28-8519-3044 Fax: (+86) 28-8519-3068
(+1) 949-639-9608 Fax: (+1) 949-639-9670

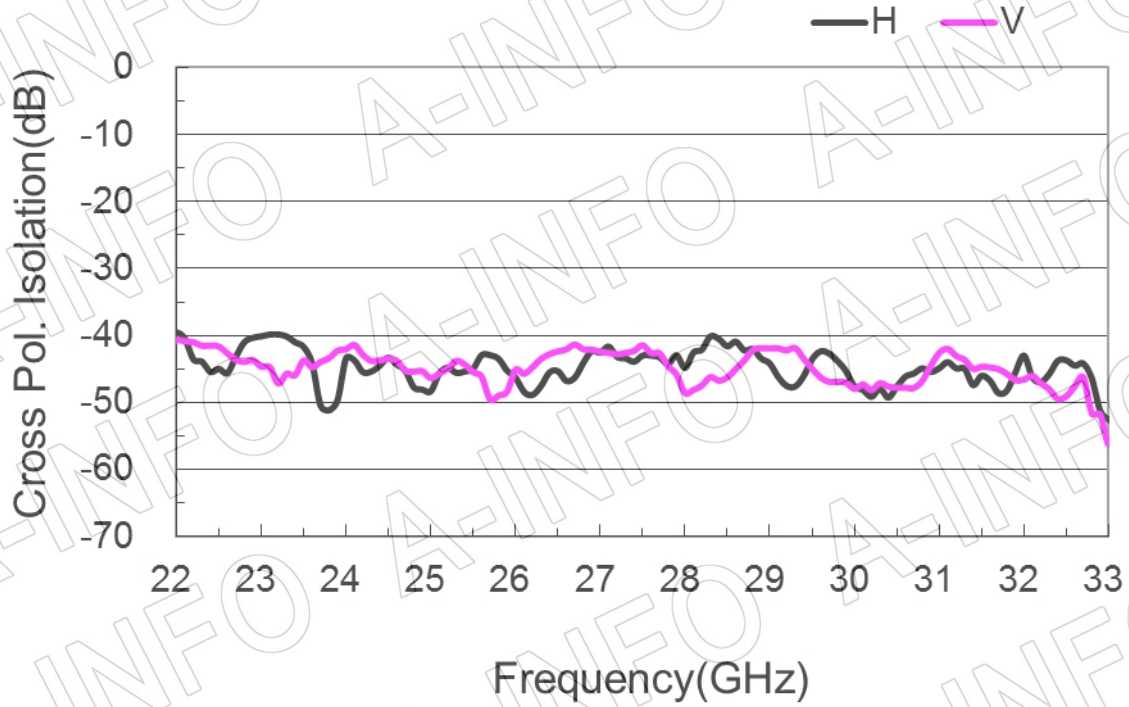
Website: www.ainfoinc.com
Email: sales@ainfoinc.com

Test Results

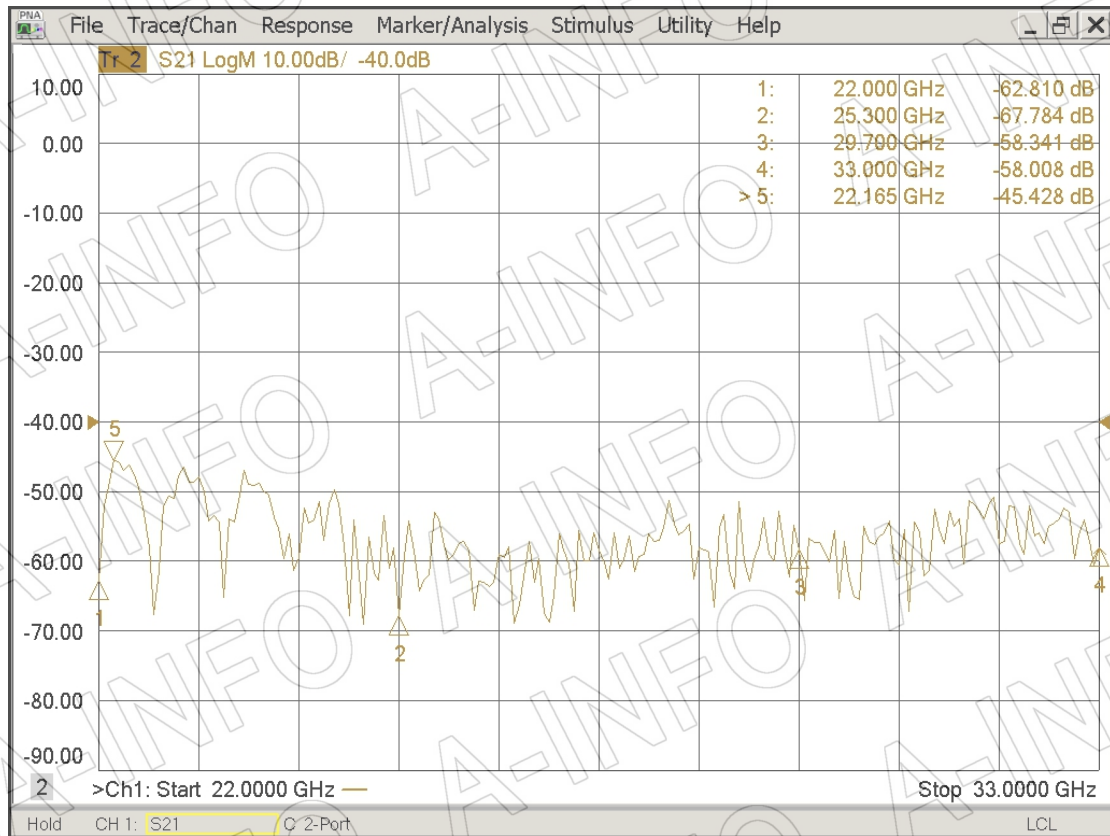
1. Gain & Antenna Factor



2. Cross Polarization Isolation

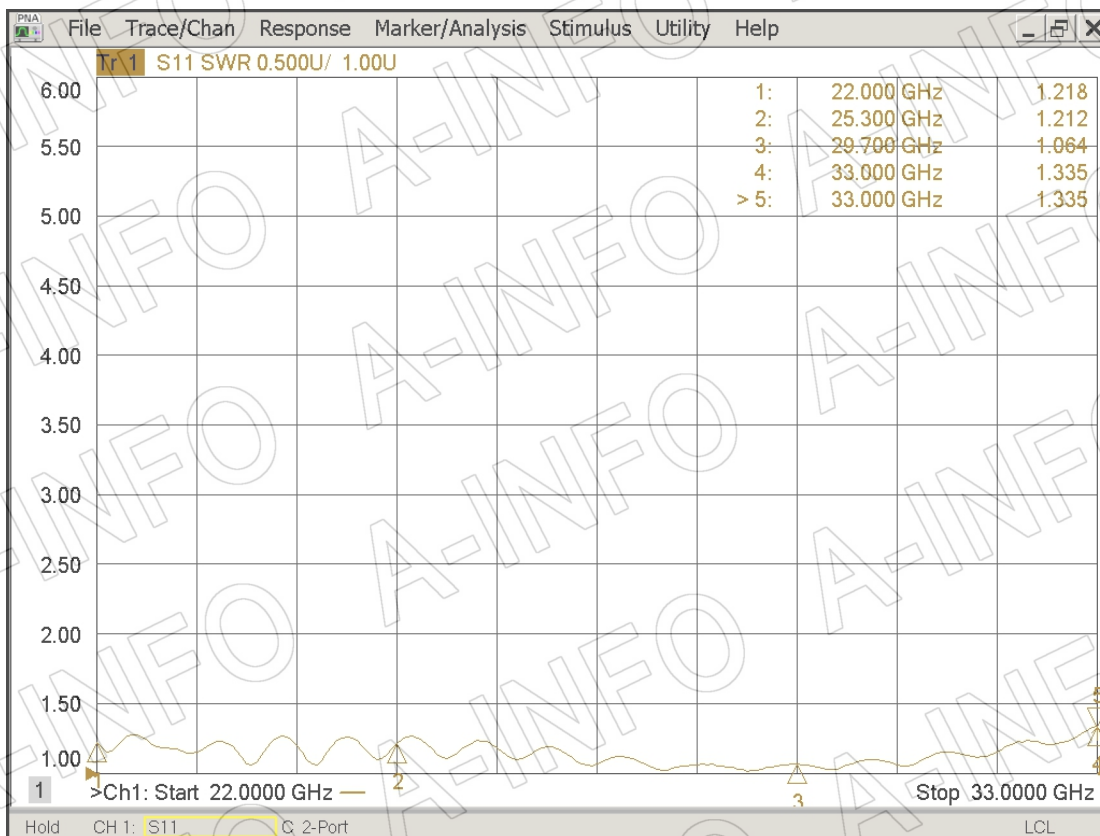


3. Port to Port Isolation

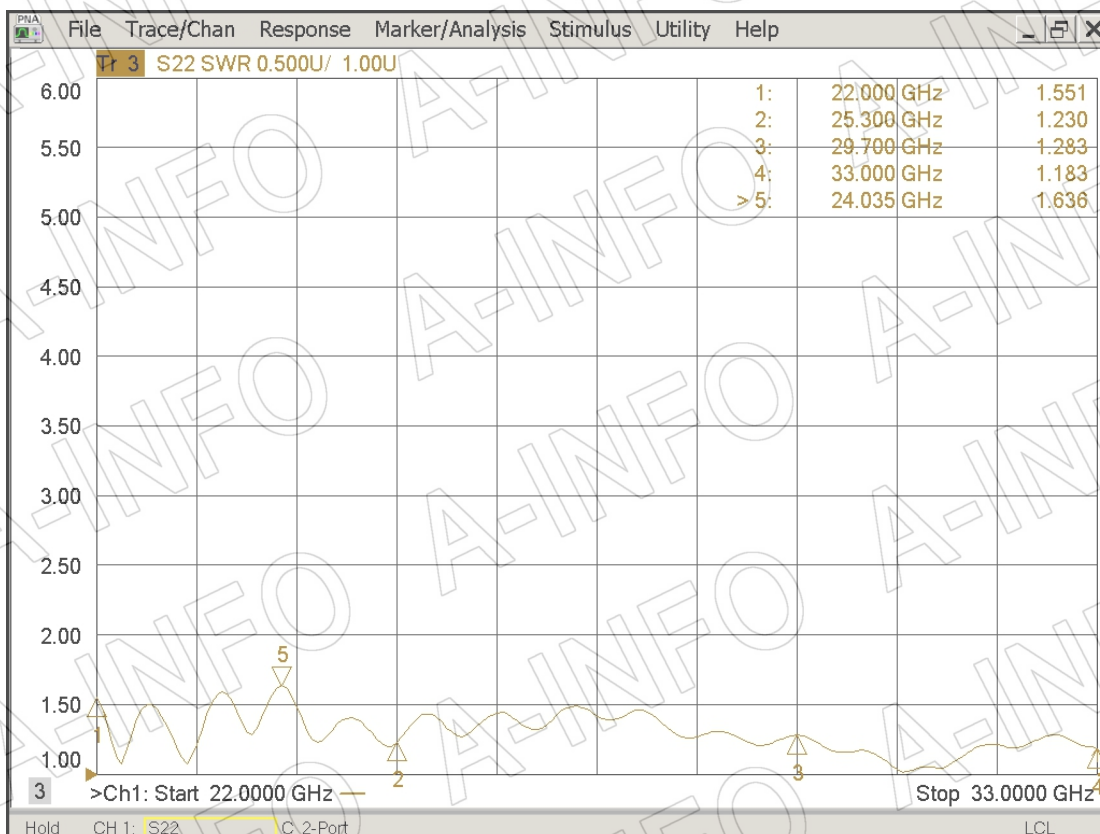


4. VSWR_A Type

Port-H

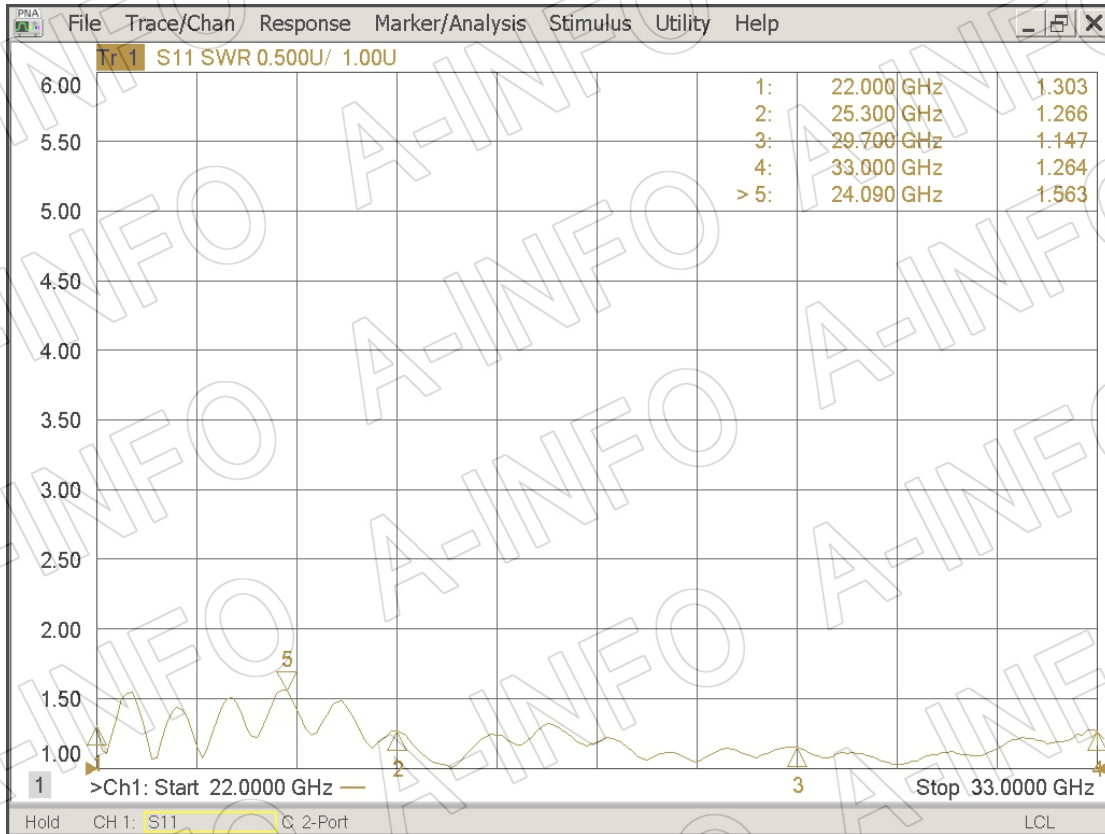


Port-V

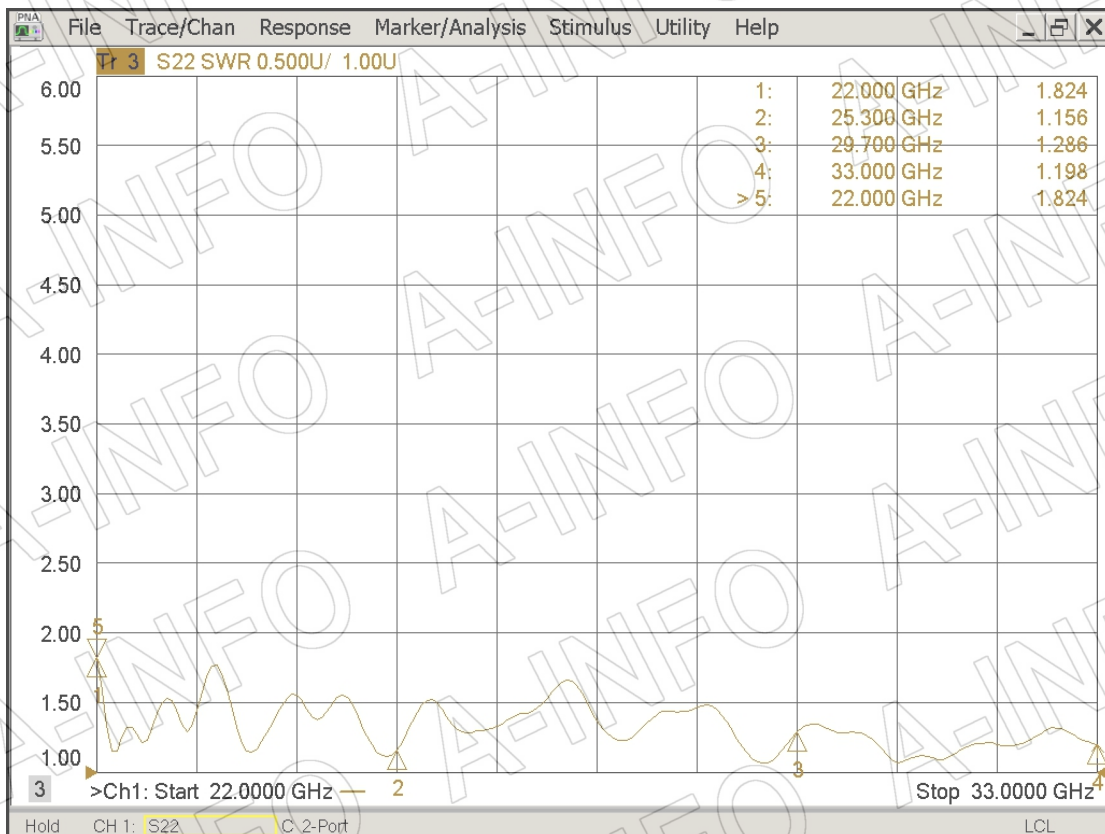


VSWR_C Type

Port-H



Port-V



5. Pattern

